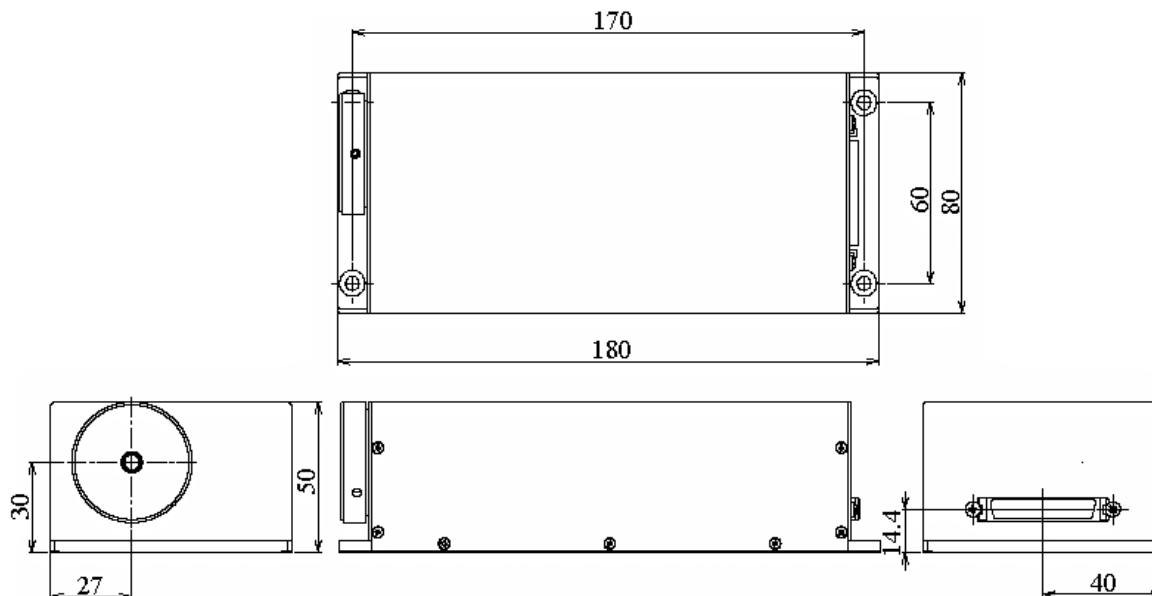


Data Sheet 559nm/589nm (CW)
WS0559-020-A-A-B, WS0589-020-A-A-B

		min	typical	max
Wavelength	nm	557	558.5	560
	nm	588	589	590
Linewidth (FWHM)	pm			30
Output (CW)	mW	20		21
Noise (DC-2MHz)	%(rms)			<1
Stability ($\pm 15^{\circ}\text{C}$)	%			± 2
Divergence	mrad	1.8	2.2	3.5
Mode Quality	-	Near Gaussian		
Beam Asymmetry	-		1.2	1.5
Pointing Stability	mrad			± 0.03
Polarization Extinction Ratio	-	100:1 vertical		
Pump Leak	nW			20
Warm-up Time	min			10
Operation Temp.	$^{\circ}\text{C}$	10		40
Operation Humidity Range (No Condensation)	%	10		90
Shock/Vibration	G			60
Power Supply	VAC		100-240	
Power Consumption	W		15	30
Laser Class			Class3B	

Dimension

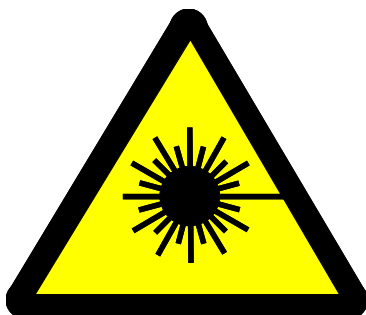


All dimensions in mm

Warranty

NTT Electronics diode-pumped solid-state lasers are warranted to be free of defects in materials and workmanship for 12 months from the date of shipment, or 5000 hours, whichever comes first.

The information presented here is believed to be accurate and is subject to change without notice.



LASER RADIATION AVOID
EXPOSURE TO BEAM CLASS 3B
LASER PRODUCT

OUTPUT POWER 20 mW
WAVELENGTH 5xx nm

IEC60625-1, 2001